

INSTRUCTION FOR DIVERTER PRESSURE BALANCE VALVE

MODEL NUMBER : JL02BD-0012

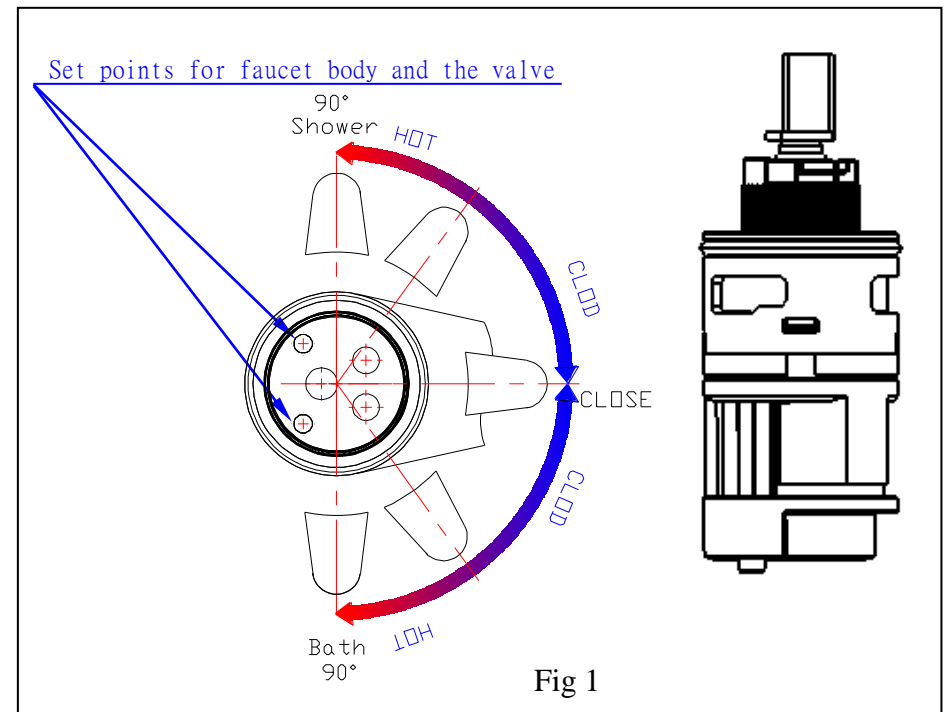
DESCRIPTION : JL02BD-0012 is 40mm Bath & Shower Diverter Pressure Balance Cartridge

FUNCTION :

1. The cartridge itself can switch the way of outlet, bath or shower. It integrates with mixer and diverter function and does not require separate diverter mechanism, which not only simplifies the design of shower valve, but also reduces the cost in faucet production. Except for effectively reducing the number of faucet parts, the assembly is also easier. Meanwhile, it can avoid the unexpected changes of outlet caused by inadvertently touch.
2. Rotating the lever in counterclockwise direction, the water comes from the bottom of cartridge, which connected to shower to control cold-warm-hot water outlet; vice versa, rotating the lever in clockwise direction, the water comes from the housing of cartridge, which connected to bathtub to control cold-warm-hot water outlet. When rotating the lever back to middle position, the water is turned off.
3. The angle of spindle from close to fully open is 90 °. The rotary direction of shower is counterclockwise with 0 °~47 °~90 °, from cold, warm, to hot water; vice versa, the rotating direction of tub is clockwise with 0 °~52 °~90 °, from cold, warm, to hot water. (Fig.1)

INSTALLATION :

1. Make sure the proper position of hot/cold water supply pipes before installing the valve.
2. After confirming the right side is cold water supply and the left is hot water supply, then fit two set points on the bottom of the valve into the bores of faucet body, and fasten both of them with nut. (Fig 1)
3. The nut torque suggested: 100 kgf.cm to 120 kgf.cm.
4. The hot/cold water supply condition suggested :
3.9°C~82°C (39°F~180°F)
5. Recommended water pressure (Max.): 500 PSI.
6. When finish assembly, make sure it is cold, warm, hot water incoming





翰優企業有限公司
Hain-Yo Enterprises Co., Ltd

when you turn on the faucet.

ATTENTION :

1. Please clean and check the valve regularly if it is installed in the highly contained contaminant water to ensure the valve can work normally. The inspection times depend on the amount of contaminants in the water
2. The valve must be set by professional installer to ensure safety. Any in-proper installation will raise the discharge temperature and may get hot burns.