 翰優企業有限公司
Hain-Yo Enterprises Co., Ltd
CONNECTED PIPE TYPE VALVE INSTRUCTION

MODEL NUMBER : FH17GJ

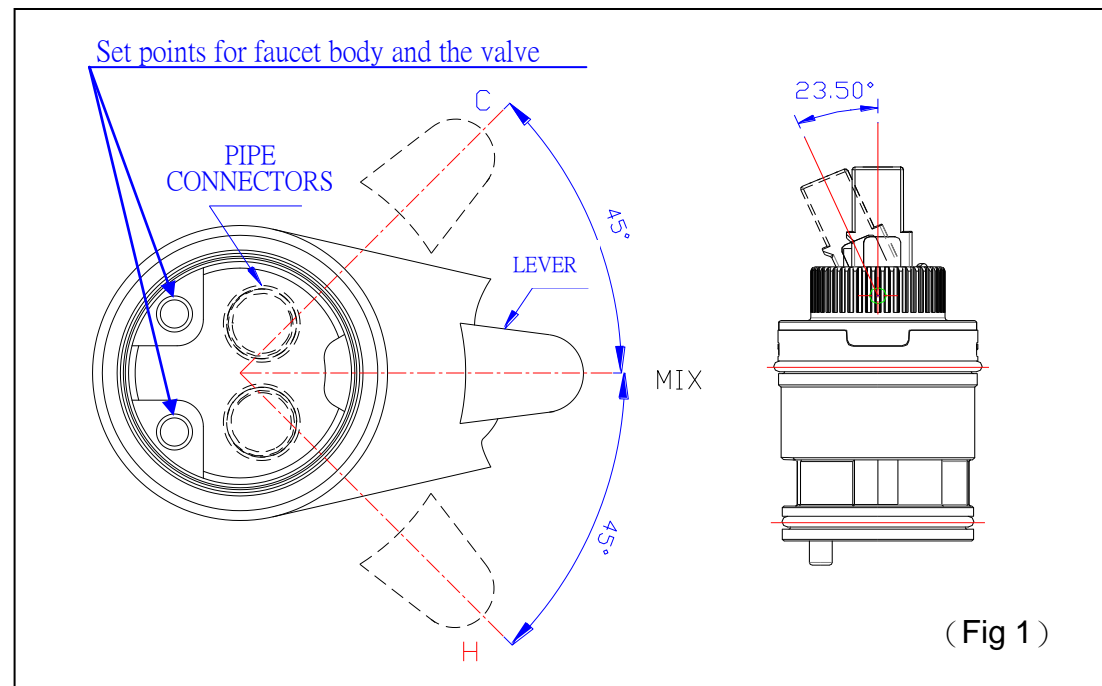
DESCRIPTION : FH17GJ is 35mm Connected Pipe Type with distributor.

FUNCTION :

1. Turning on the valve and rotating the spindle with lever, the ceramic disc is moved by rotor and joined with spindle to control cold –warm-hot water outlet. When turning off the valve and rotating the spindle with lever, the spindle can not move the ceramic disc by rotor.
2. The angle of spindle from close to fully open is 23.5°. The rotary direction of the cold water is counter clockwise with 0°~45° ; vice verse, the rotary direction of hot water is clockwise with 0°~45°. (Fig 1)


INSTALLATION :

1. Make sure the proper position of hot/cold water supply pipes before installing the valve.
2. After confirming the right side is cold water supply and the left is hot water supply, then fit two set points on the bottom of the valve into the bores of faucet body, and fasten both of them with nut. (Fig 1)
3. The nut lock torque suggested : 80kgf-cm ~100kgf-cm.
4. The hot/cold water supply condition : 3.9°C ~82°C (39°F~180°F)
5. Recommended Water Pressure (Max.) : 500 PSI.
6. After finishing assembly, turning on the faucet and rotating the lever from right to left, make sure it is cold water, warm water and then hot water incoming.



ATTENTION:

The valve must be set by professional installer to ensure safety. Any in-proper installation will raise the discharge temperature and may get hot burns.

 翰優企業有限公司
Hain-Yo Enterprises Co., Ltd
CONNECTED PIPE TYPE VALVE INSTRUCTION

MODEL NUMBER : DH17GJ

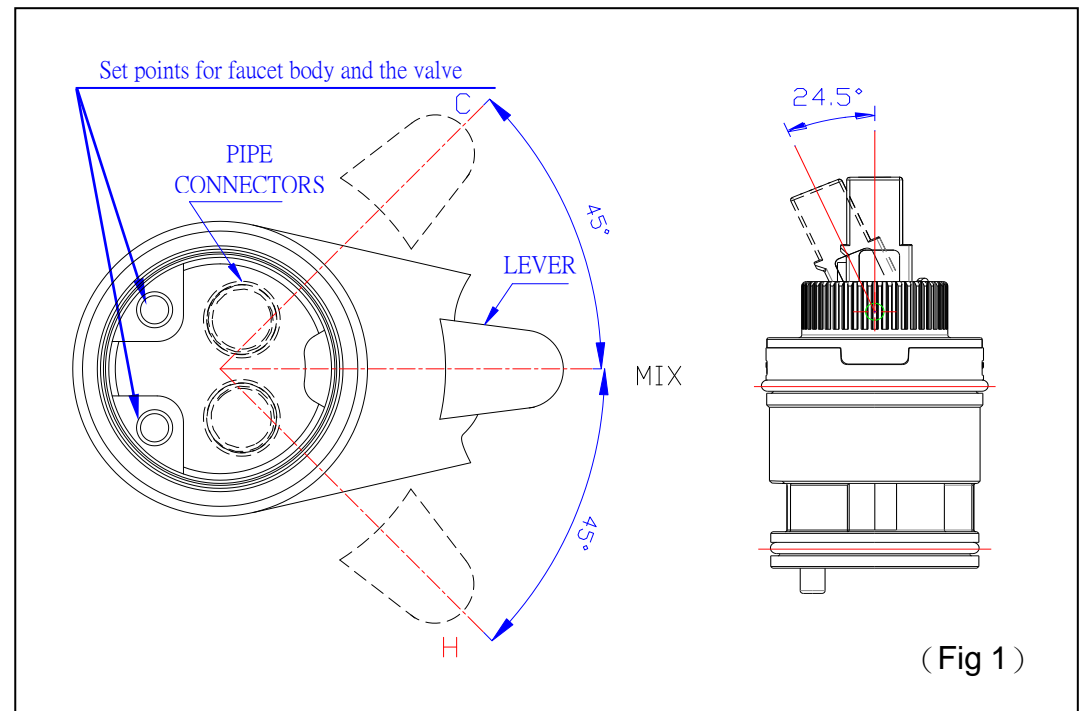
DESCRIPTION : DH17GJ is 40mm Connected Pipe Type with distributor.

FUNCTION :

1. Turning on the valve and rotating the spindle with lever, the ceramic disc is moved by rotor joined with spindle to control cold –warm-hot water outlet. When turning off the valve and rotating the spindle with lever, the spindle can not move the ceramic disc by rotor.
2. The angle of spindle from close to fully open is 24.5 °. The rotary direction of the cold water is counter clockwise with 0°~45°; vise verse, the rotary direction of hot water is clockwise with 0°~45°. (Fig 1)

INSTALLATION :

1. Make sure the proper position of hot/cold water supply pipes before installing the valve.
2. After confirming the right side is cold water supply and the left is hot water supply, then fit two set points on the bottom of the valve into the bores of faucet body, and fasten both of them with nut. (Fig 1)
3. The nut lock torque suggested : 100kgf-cm ~ 120kgf-cm.
4. The hot/cold water supply condition : 3.9°C ~ 82°C (39°F ~ 180°F)
5. Recommended Water Pressure (Max.) : 500 PSI.
6. After finishing assembly, turning on the faucet and rotating the lever from right to left, make sure it is cold water, warm water and then hot water incoming.



ATTENTION:

The valve must be set by professional installer to ensure safety. Any in-proper installation will raise the discharge temperature and may get hot burns.