



Hain-Yo Enterprises Co., Ltd.

INSTRUCTION FOR PRESSURE BALANCE VALVE

MODE NUMBER: JH02BJ (HL-40)

DESCRIPTION:

The pressure balance valve we designed can be said as two in one valve for installation either in the front side or in the opposite direction of the same wall and the same water supply pipes.

FUNCTION:

1. When the hot/cold water supply pipes are in the opposite direction from hot/cold water inlet still can use the valve. Just make turn 180° to change the position of hot/cold water, then the hot/cold water outlet from faucet can still in right way safely.
2. The valve is designed via the copper shaft to control the upper ceramic disc, from close to cold water, warm water, hot water outlet, the open direction is counter clockwise, angle is 0° - 119°. The same, the close direction is clockwise, angle is 119° - 0°.

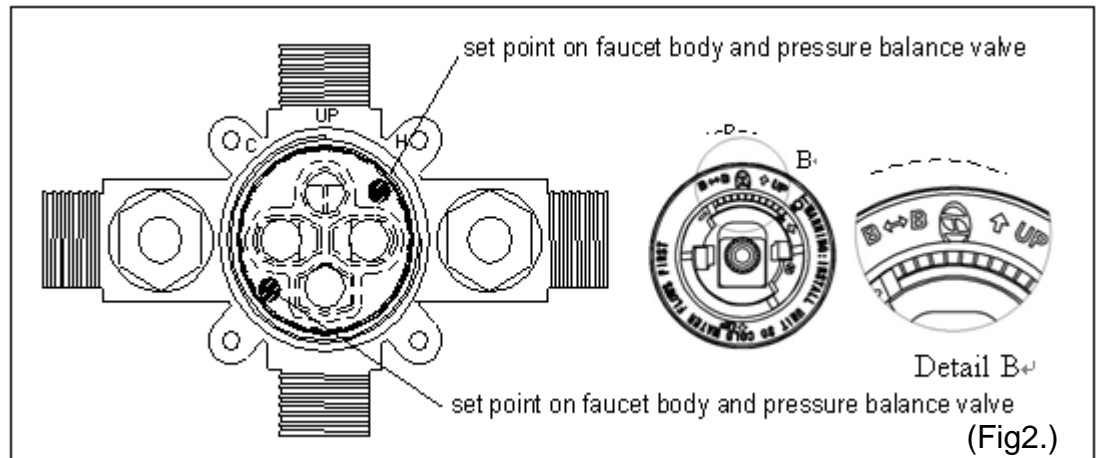
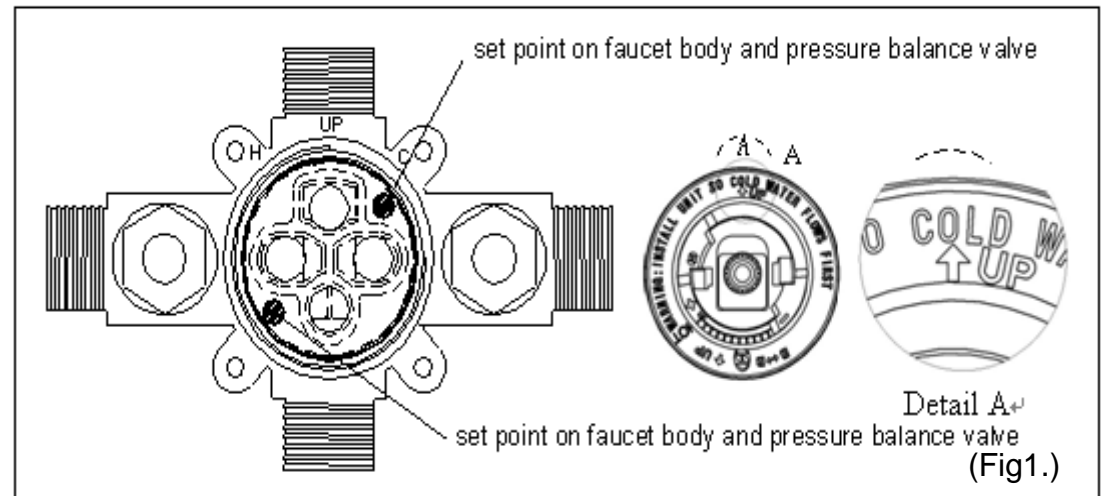
INSTALLATION:

Make sure the proper position of hot/cold water supply pipes before installing the valve.

1. When face to hot/cold water supply pipes, the right side is cold water supply and the left side is hot water supply. Check the upper cap of valve with “UP↑” in up position, then fix into the faucet body via two set points on valve bottom and faucet top then fasten with wrench. (Fig. 1)
2. In opposite, when face to hot/cold water supply pipes, the right side is hot water supply, and the left side is cold water supply. Check the upper cap of valve with “B↔B UP↑” in up position, then fix into the faucet body via two set points on valve bottom and faucet top then fastens with wrench. (Fig. 2)
3. The torque suggest condition: 100 kgf.cm to 120 kgf.cm.
4. The hot/ cold water supply condition:
hot water supply 48.9°C (120°F) – 82.2°C (180°F)
cold water supply 3.9°C (39°F) – 26.7°C (80°F)
5. For use with shower heads rated at 1.75gpm or higher.
6. When finish assembly, make sure it is cold water, warm water, hot water incoming when you turn on the faucet.

ATTENTION:

1. Please avoid installing this valve in the high contained contaminant water, because it is easy to adhere to the valve for the contaminant after heating. If the water contains heavy contaminants, the water quality is suggested for improvement. The valve should be checked frequently to ensure normal functional and working properly. The inspection times depend on the amount of contaminants in the water.
2. The valve must be set by professional installer to ensure safety. Any in-proper installation will raise the discharge temperature and may get hot burns.





Hain-Yo Enterprises Co., Ltd.

INSTRUCTION FOR PRESSURE BALANCE VALVE

MODE NUMBER: JL02BJ

DESCRIPTION:

The pressure balance valve we designed can be said as two in one valve for installation either in the front side or in the opposite direction of the same wall and the same water supply pipes.

FUNCTION:

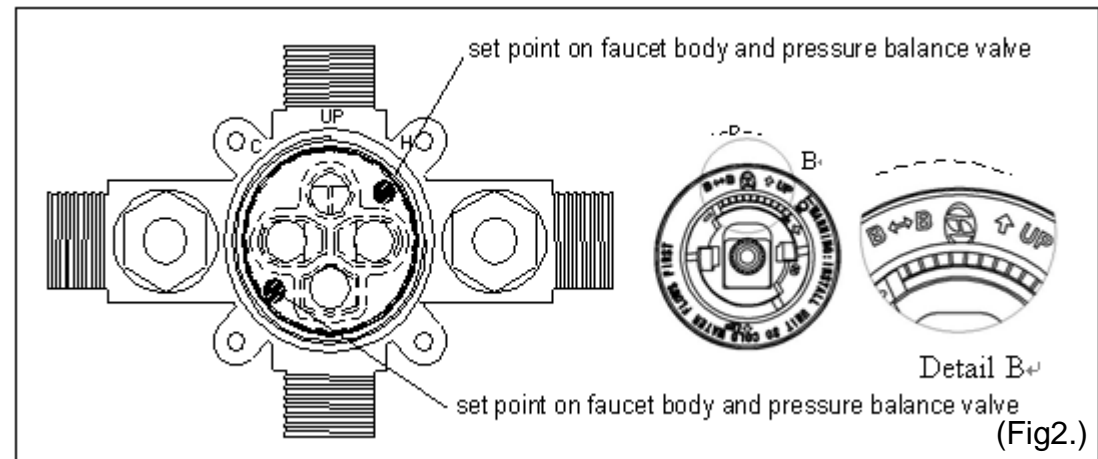
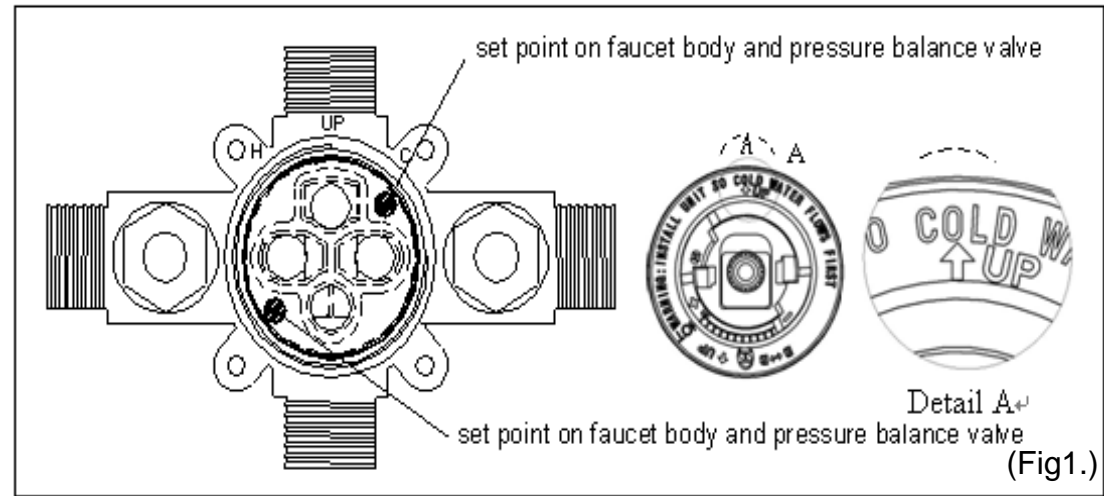
1. When the hot/cold water supply pipes are in the opposite direction from hot/cold water inlet, still can use the valve. Just make turn 180° to change the position of hot/cold water, then the hot/cold water outlet from faucet can still in right way safely.
2. The valve is designed via the copper shaft to control the upper ceramic disc, from close to cold water, warm water, hot water outlet, the open direction is counter clockwise, and angle is 0°-119°. The same, the close direction is clockwise; angle is 119°-0°.

INSTALLATION

1. Make sure the proper position of hot/cold water supply pipes before Install the valve.
2. When face to hot/cold water supply pipes, the right side is cold water supply and the left side is hot water supply. Check the upper cap of valve with “UP↑” in up position, then fix into the faucet body via two set points on valve bottom and faucet top then fasten with wrench. (Fig. 1)
3. In opposite, when face to hot/cold water supply pipes, the right side is hot water supply, and the left side is cold water supply. Check the upper cap of valve with “B↔B UP↑” in up position, then fix into the faucet body via two set points on valve bottom and faucet top then fastens with wrench. (Fig. 2)
4. The torque suggests condition: 100kgf.cm to 120 kgf.cm.
5. The hot/ cold water supply condition:
hot water supply 48.9°C (120°F) – 82.2°C (180°F)
cold water supply 3.9°C (39°F) – 26.7°C (80°F)
6. When finish assembly, make sure it is cold water, warm water, hot water incoming when you turn on the faucet.

ATTENTION:

1. Please avoid installing this valve in the high contained contaminant water, because it is easy to adhere to the valve for the contaminant after heating. If the water contains heavy contaminants, the water quality is suggested for improvement. The valve should be checked frequently to ensure normal functional and working properly. The inspection times depend on the amount of contaminants in the water.
2. The valve must be set by professional installer to ensure safety. Any in-proper installation will raise the discharge temperature and may get hot burns.



Rev. 01



Hain-Yo Enterprises Co., Ltd.

INSTRUCTION FOR CERAMIC CARTRIDGE

MODE NUMBER: DL05BJ

DESCRIPTION:

The ceramic cartridge we designed can be said as two in one valve for installation either in the front side or in the opposite direction of the same wall and the same water supply pipes.

FUNCTION:

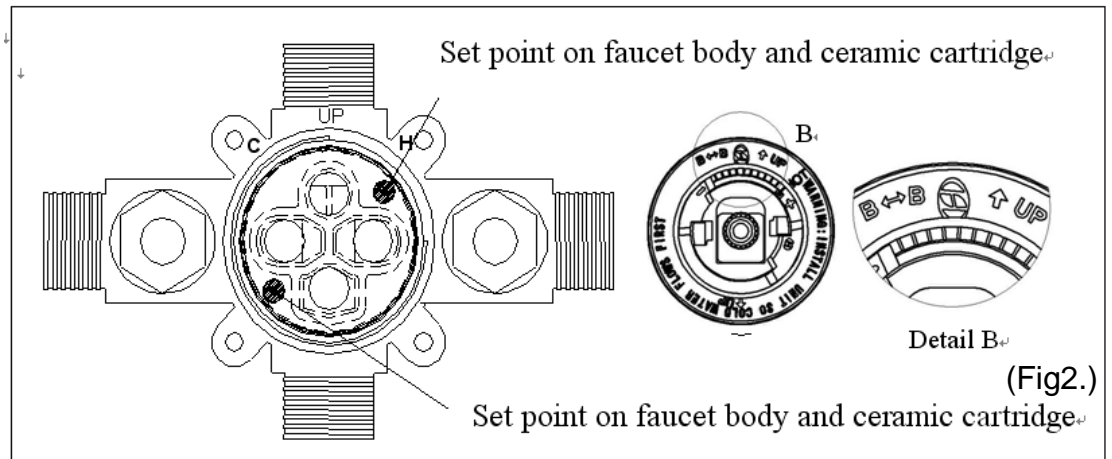
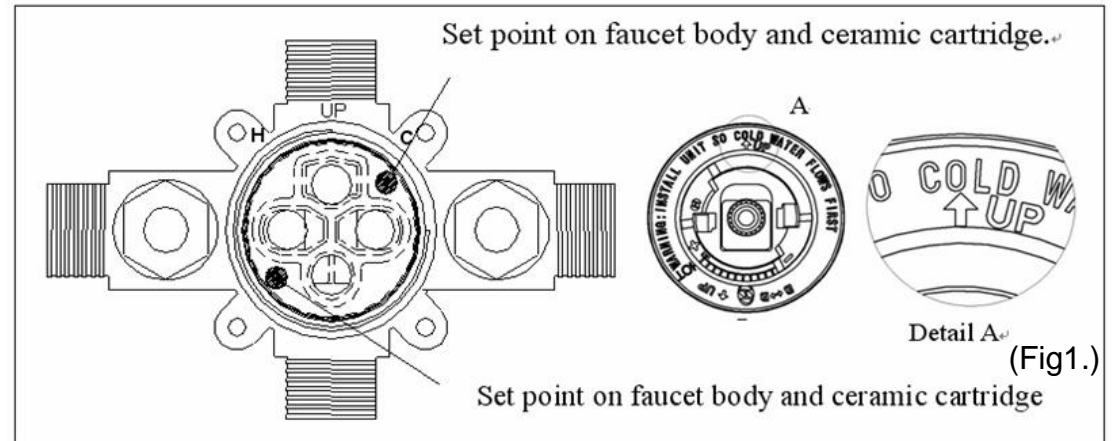
1. When the hot/cold water supply pipes are in the opposite direction from hot/cold water inlet, still can use the valve. Just make turn 180° to change the position of hot/cold water, then the hot/cold water outlet from faucet can still in right way safely.
2. The valve is designed via the copper shaft to control the upper ceramic disc, from close to cold water, warm water, hot water outlet, the open direction is counter clockwise, and angle is 0°-119°. The same, the close direction is clockwise; angle is 119°-0°.

INSTALLATION

1. Make sure the proper position of hot/cold water supply pipes before Install the valve.
2. When face to hot/cold water supply pipes, the right side is cold water supply and the left side is hot water supply. Check the upper cap of ceramic cartridge with “UP↑” in up position, then fix into the faucet body via two set points on ceramic cartridge bottom and faucet top then fasten with wrench. (Fig. 1)
3. In opposite, when face to hot/cold water supply pipes, the right side is hot water supply, and the left side is cold water supply. Check the upper cap of ceramic cartridge with “B↔B UP↑” in up position, then fix into the faucet body via two set points on ceramic cartridge bottom and faucet top then fastens with wrench. (Fig. 2)
4. The torque suggests condition: 80kgf.cm to 120 kgf.cm.
5. When finish assembly, make sure it is cold water, warm water, hot water incoming when you turn on the faucet.

ATTENTION:

1. Please avoid installing this valve in the high contained contaminant water, because it is easy to adhere to the valve for the contaminant after heating. If the water contains heavy contaminants, the water quality is suggested for improvement. The valve should be checked frequently to ensure normal functional and working properly. The inspection times depend on the amount of contaminants in the water.
2. The valve must be set by professional installer to ensure safety. Any in-proper installation will raise the discharge temperature and may get hot burns.



Rev. 01