



Hain-Yo Enterprises Co., Ltd.

INSTRUCTION FOR PRESSURE BALANCE VALVE

MODE NUMBER: JH02BD

DESCRIPTION:

The pressure balance valve we designed can be said as two in one valve for installation either in the front side or in the opposite direction of the same wall with the same water supply pipes.

FUNCTION:

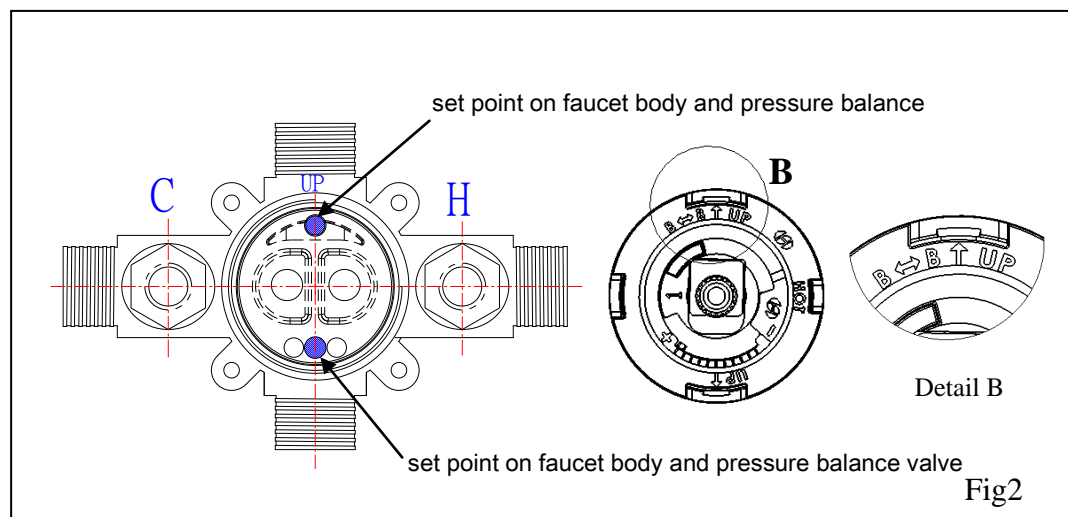
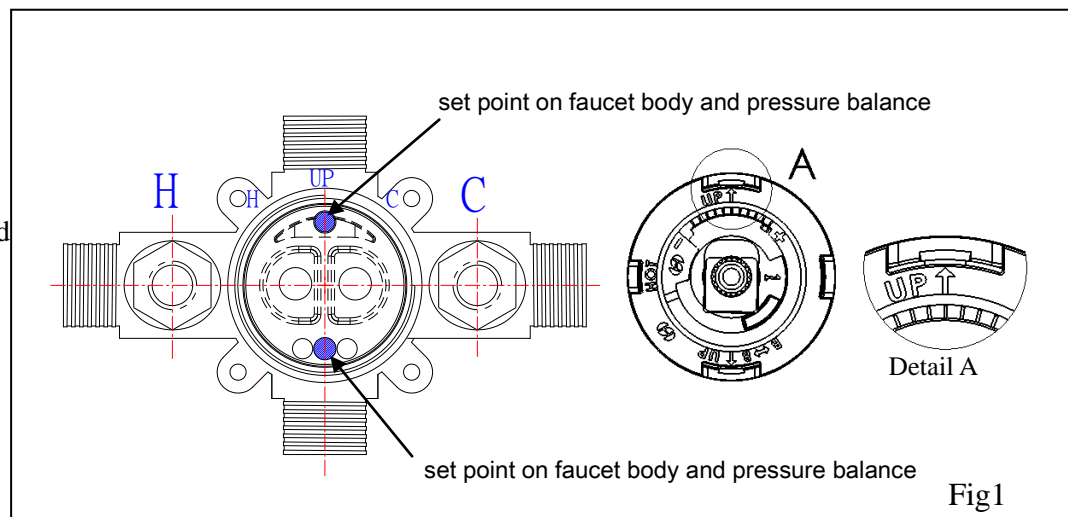
1. When the hot/cold water supply pipes are in the opposite direction from hot/cold water inlet still can use the valve. Just make the valve 180° reversed to change the position of hot/cold water, then the hot/cold water outlet from faucet can be still in right way safely.
2. The valve is designed via the copper shaft to control the upper ceramic disc, from close to cold water, warm water, hot water outlet. The open direction is counter clockwise, angle is 0° - 119°; the close direction is clockwise, angle is 119° - 0°, vice verse.

INSTALLATION:

1. Make sure the proper position of hot/cold water supply pipes before installing the valve.
2. When face hot/cold water supply pipes, the right side is cold water supply and the left side is hot water supply. Check the upper cap of valve with “UP↑” in up position, then fix into the faucet body via two set points on valve bottom and faucet top then fasten with wrench. (Fig.1)
3. Conversely, when face hot/cold water supply pipes, the right side is hot water supply, and the left side is cold water supply. Check the upper cap of valve with “B↔B UP↑” in up position, then fix into the faucet body via two set points on valve bottom and faucet top then fasten with wrench. (Fig.2)
4. The nut torque suggested: 100 kgf.cm to 120 kgf.cm.
5. The hot/ cold water supply condition:
Hot water supply 48.9°C (120°F) – 82.2°C (180°F)
Cold water supply 3.9°C (39°F) – 26.7°C (80°F)
6. Recommended water pressure (Max.): 500 PSI.
7. When finish assembly, make sure it is cold water, warm water, hot water incoming when you turn on the faucet.

ATTENTION:

1. Please avoid installing this valve in the high contained contaminant water, because it is easy to adhere to the valve for the contaminant after heating. If the water contains heavy contaminants, the water quality is suggested for improvement. The valve should be checked frequently to ensure normal functional and working properly. The inspection times depend on the amount of contaminants in the water.
2. The valve must be set by professional installer to ensure safety. Any in-proper installation will raise the discharge temperature and may get hot burns.



Rev. 00